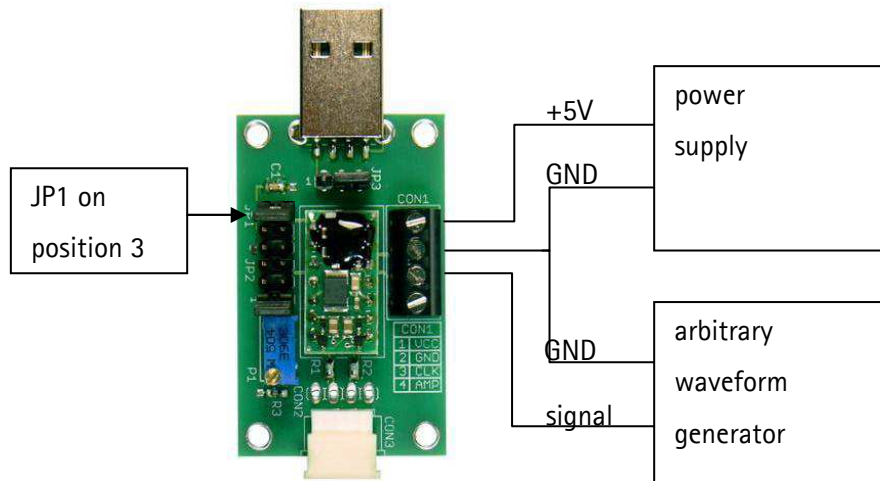


Application Note

Operating the mp6-EVA with an arbitrary waveform generator



Standard usage:

As described in the mp6 manual the mp6-OEM onboard the mp6-EVA can be driven by an external CLOCK signal. The resulting pump-frequency will be a quarter of the original CLOCK signal. Please take into account to set the pulse-width of the frequency (duty cycle) at a level of 95% when operating at pump-frequencies lower than 25 Hz.

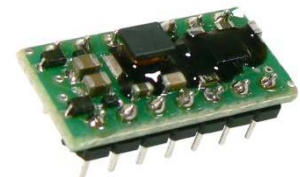
The CLOCK signal has to be rectangular in shape. The high-level should be between 1.3 V and 5.0 V; the low-level between 0 V and 0.3 V.

Also possible:

Using a burst-mode to generate small reproducible dosings!

By sending a burst sequence to the CLOCK input of the mp6-EVA the mp6 generates a defined number of pump pulses. As a result the pumped volume will have the same amount with each burst.

For more details on the drive signals of the mp6-OEM please refer to the mp6 manual.



The following pictures show examples of burst-mode CLOCK signal settings and the resulting pump signal. One pump pulse is realized by four CLOCK signal cycles.

